



We give  
impulses >>>



- iTNA01/02
- iTNA16
- iTNA20
- iTNA53
- iTNA57

## **LEVEL SWITCHES**


FOR RELIABLY MONITORING  
THE LEVELS OF DIFFERENT FLUIDS

# THE LEVEL SWITCHES

OF TIEFENBACH CONTROL SYSTEMS...



HAVE BEEN ESPECIALLY DEVELOPED FOR RELIABLY MONITORING THE LEVELS OF DIFFERENT FLUIDS IN OPEN OR CLOSED CONTAINERS. THEY ARE EASY TO INSTALL AND SUITABLE FOR VARIABLE TANK DEPTHS.

- 
- The level switches of Tiefenbach Control Systems utilize the physical principle of lift:  
The rising fluid level in the container lifts the float. At one or several defined points or continually over the complete measuring length the magnet in the float triggers the open/close contact and provides an electrically processible signal.
  - Thanks to the use of corrosion-resistant materials the level switches are suitable for use in aggressive fluids. The level is measured maintenance-free via magnet-operated reed contacts spaced at different intervals. For unsteady fluid levels the level switches can be equipped with a smoothing pipe and for monitoring the fluid temperature with thermal contact cartridges
  - All level switches are certified according to Directive 94/9/EC (ATEX).



TIEFENBACH CONTROL SYSTEMS OFFERS OPTIMUM SOLUTIONS FOR THE MOST VARIED LEVEL MONITORING APPLICATIONS



## LEVEL AND TEMPERATURE SWITCH

### iTNA01/02

monitors level and temperature of fluids in open or closed unpressurized containers

- iTNA01 – with smoothing pipe to prevent incorrect measurements in the event of turbulences; length of immersion pipe up to 2.000 mm
- iTNA02 – without smoothing pipe; length of immersion pipe up to 5.000 mm
- largely unaffected by external influences
- resistant to aggressive fluids
- maintenance free as contacts are operated by magnets
- Type of protection: IP 54 according to EN 60529/IEC 529; Ex ia I intrinsically safe according to Directive 94/9/EC (ATEX)



#### LEVEL AND TEMPERATURE SWITCH

### ITNA 16

monitors level and temperature of fluids in open or closed unpressurized containers

- Length of immersion pipe: 120 mm to 1.200 mm
- Continuous level monitoring possible
- with smoothing pipe to prevent incorrect measurements in the event of turbulences
- optionally available without smoothing pipe
- largely unaffected by external influences
- resistant to aggressive fluids
- maintenance free as contacts are operated by magnets
- Type of protection: IP 54 according to EN 60529/IEC 529; EEx ia I intrinsically safe according to Directive 94/9/EC

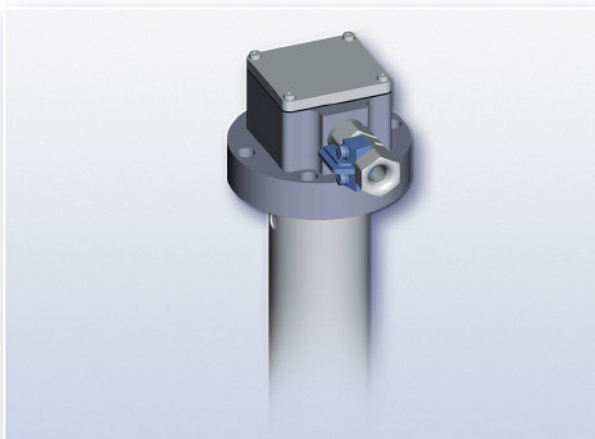


#### LEVEL AND TEMPERATURE SWITCH

### ITNA 20

monitors level and temperature of fluids in open or closed unpressurized containers

- for attachment at the side of the container
- minimum and maximum threshold functions optional at rising or falling level
- largely unaffected by external influences
- resistant to aggressive fluids
- maintenance free as contacts are operated by magnets
- Type of protection: IP 54 according to EN 60529/IEC 529; EEx ia I intrinsically safe according to Directive 94/9/EC



#### LEVEL AND TEMPERATURE SWITCH

### ITNA 53

monitors level and temperature of fluids in pressure containers up to 100 bar

- operative up to an overpressure of 100 bar
- Length of immersion pipe: 120 to 3.000 mm without smoothing pipe
- Length of immersion pipe: 120 to 1.200 mm with smoothing pipe
- with smoothing pipe to prevent incorrect measurements in the event of turbulences
- largely unaffected by external influences
- resistant to aggressive fluids
- maintenance free as contacts are operated by magnets
- Type of protection: IP 54 according to EN 60529/IEC 529; EEx ia I intrinsically safe according to Directive 94/9/EC (ATEX)



#### LEVEL AND TEMPERATURE SWITCH


### ITNA 57

monitors level and temperature of fluids in pressure containers up to 310 bar

- operative up to an overpressure of 310 bar
- Length of immersion pipe: 120 mm to 3.000 mm
- largely unaffected by external influences
- resistant to aggressive fluids
- maintenance free as contacts are operated by magnets
- Type of protection: IP 54 according to EN 60529/IEC 529; EEx ia I intrinsically safe according to Directive 94/9/EC (ATEX)



We give  
impulses >>>

**TIEFENBACH**  
Control Systems GmbH 

**Tiefenbach Control Systems GmbH** · Rombacher Hütte 18a · 44795 Bochum  
Telephone +49 (0) 234 - 777 66-0 · Fax +49 (0) 234 - 777 66-999  
info@tiefenbach-controlsystems.com · www.tiefenbach-controlsystems.com